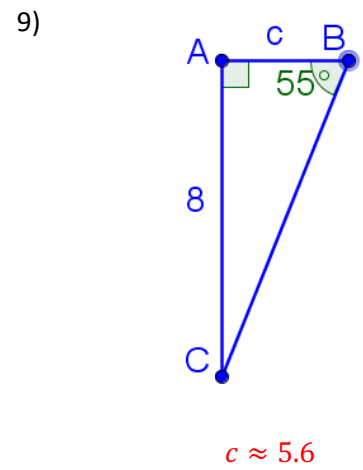
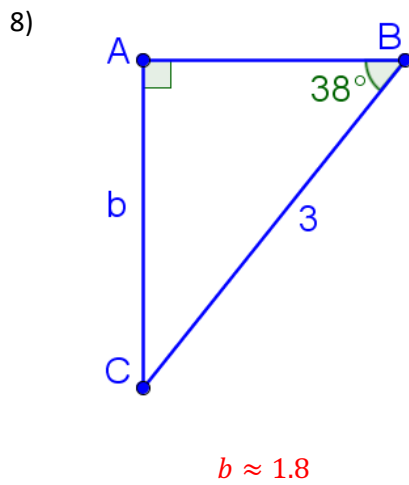
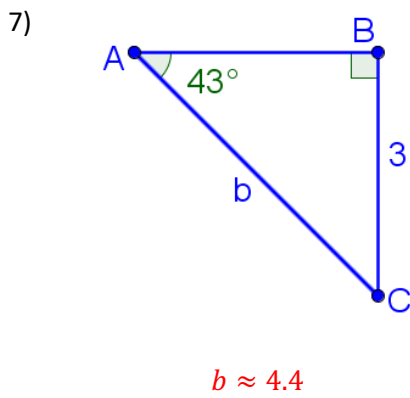
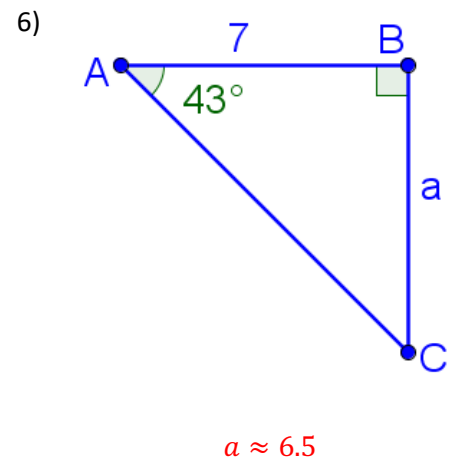
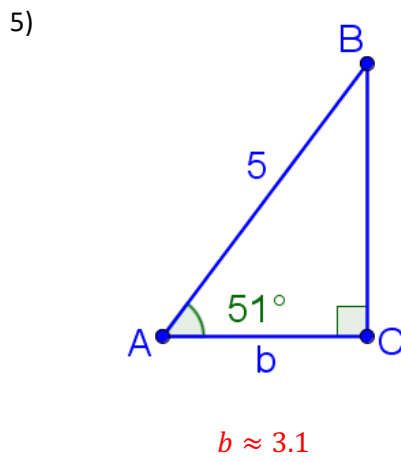
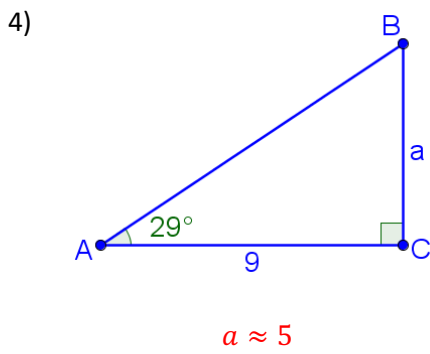
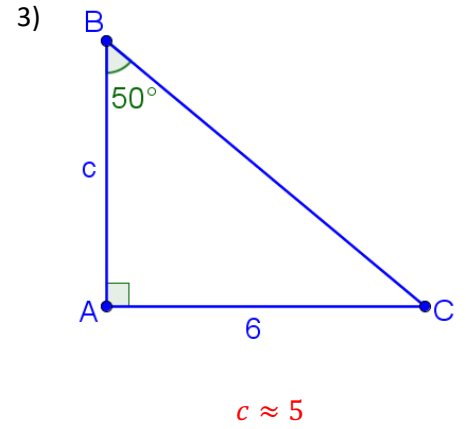
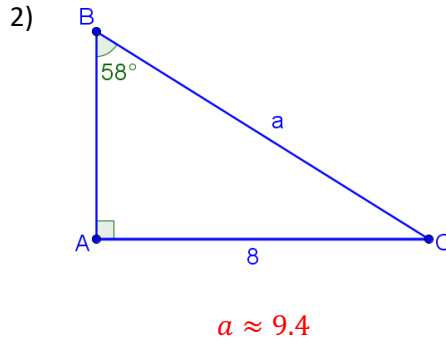
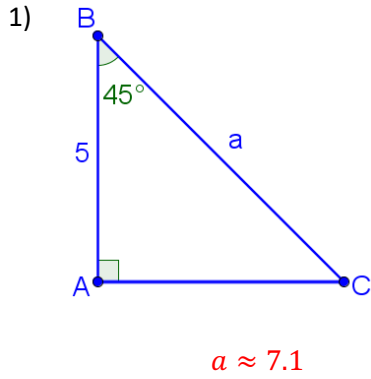
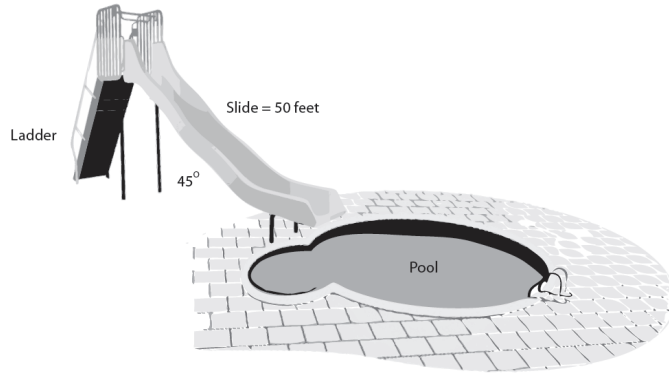


SM2 8.4: Find Missing Side with Trig

Find the missing side of each $\triangle ABC$.

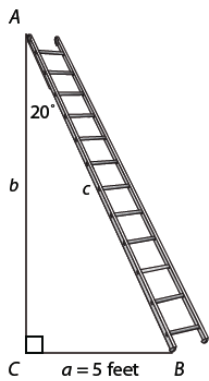


- 10) A water park has a straight slide into a deep pool. The slide is 50 feet long. It rises from the pool at an angle of 45° . How tall do the vertical supports of the platform need to be to support the platform at the top of the slide, to the nearest thousandth?



$$\sin 45^\circ = \frac{x}{50}$$
$$x \approx 35.355 \text{ ft}$$

- 11) The drawing below shows a ladder against a wall. How high on the wall does the ladder reach, to the nearest thousandth?



$$\tan 20^\circ = \frac{5}{b}$$
$$b \approx 13.737 \text{ ft}$$